

DC Power Supply



Description

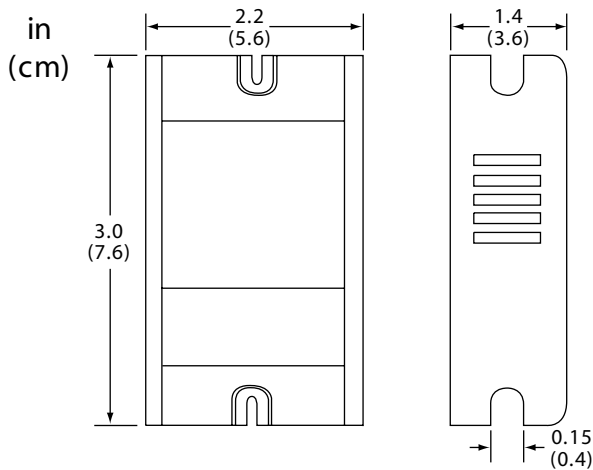
The Model APS converts AC line voltage to regulated DC output.

This compact power supply may be used to power various DC operated peripherals and inputs/output modules on PLC's, or transmitters used in process control systems.

Features

- Regulated Power Outputs of 5 VDC, 12 VDC and 24 VDC
- 120V/60Hz Input
- Screw Terminal Connections
- Easily Mounted
- Output DC voltages are isolated from AC line

Dimensions



Specifications

Input Voltage:	120 VAC + 5%, -10%/60Hz (external fuse recommended)
Output Voltage:	APS-5 -- 5V ± 0.2VDC@300mA
	APS-12 -- 12V ± 0.5VDC@200mA
	APS-24 -- 24V ± 1VDC@100mA
Environment:	
Operating Temperature:	0 to 55 °C
Max. Humidity:	95% RH, non-condensing
Weight:	0.38 lb.
Mounting:	side or base
Height:	2.2" (56 mm)
Width:	3.0" (76 mm)

