

DP-2000W Series

High Resolution, low-cost 4 1/2 Digit Miniature LCD Digital Panel Meters



Window/Surface Mount

Features

- Low-cost, high-performance replacement for many OEM DPMS
- Mounting choices:
 - Window mount for custom OEM
 - Surface mount with minimum space behind the panel
- Low power: choice of 1.5mA (9V, ±5V) or 3 mA (+5V)
- Space-saving design: only 1" (25 mm) deep
- Occupies less than 2.5 X 1.1 inches of front panel space
- 4 1/2 digits (±19,999 counts) with high-contrast LCD Display
- Optional loop powered 4 to 20mA process inputs available

Specifications

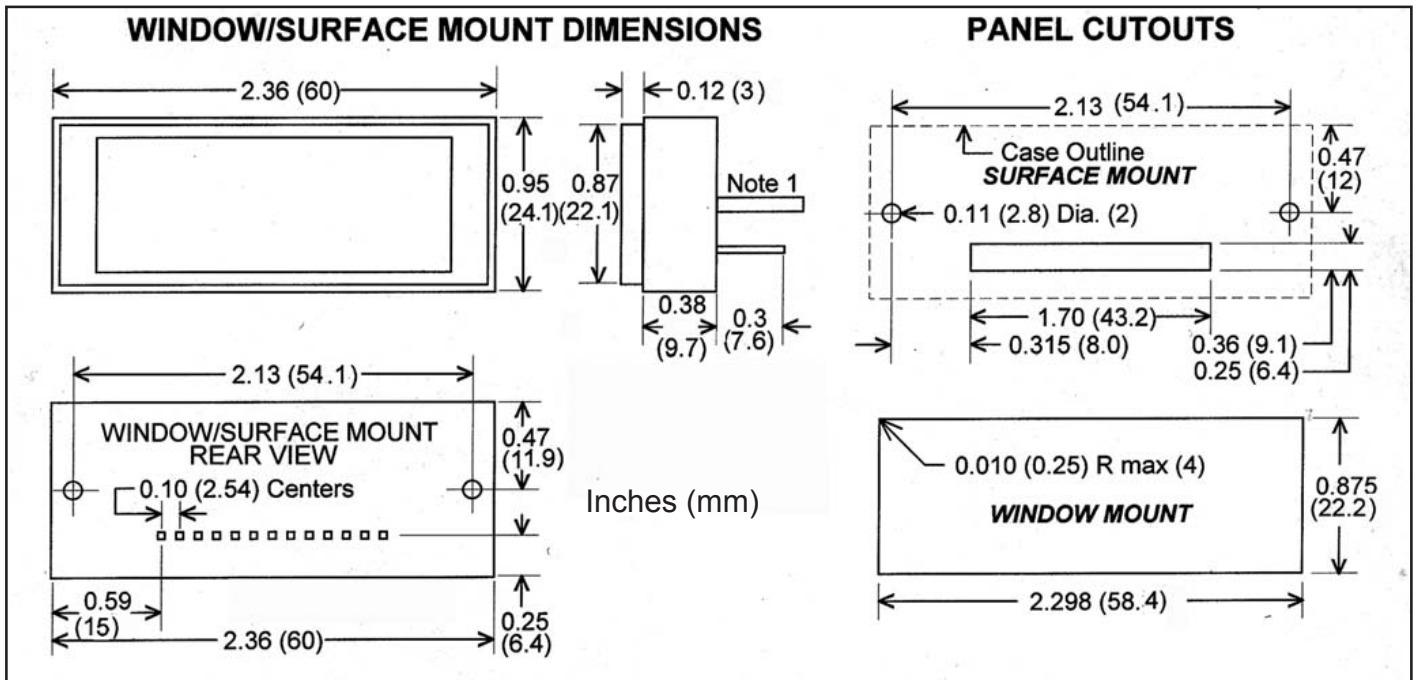
Display:	Digits:	4 1/2 digits (±19999 counts)
	Type:	0.5" (13mm) 7 segment LCD
	Polarity:	Automatic, "-" displayed
	Annunciators:	"LoBat" when power <7.2 VDC
	Decimal Points:	4 position, user selectable
	Overload:	Four lower order digits blank for inputs >1999 & <-1999
Inputs:	Hold:	Standard
	Ranges:	±200.00mV, ±2.0000V, ±20.000Vdc
	Configuration:	Single ended for 9V powered, Differential for 5V powered
	Protection:	±350V DC
	Impedance:	>100 MΩ on ±200mV; (>1 MΩ on 2V & 20V range)
	Bias Current:	10pA typical
Performance:	Accuracy:	±(0.06% fs + 1 count) maximum
	Conversion Rate:	2 per second
	Normal Mode Rejection:	>30 db @ 60 Hz
	Common Mode Range:	±1V DC (5V powered)
	Common Mode Rej.:	>86 dB
	Zero Adjustment:	Automatic
Environment:	Warmup:	10 minutes typical
	Temperature Coeff.:	± 50 ppm per °C typical ± 100 ppm max for 200mV range ± 100 ppm per °C typical ± 200 ppm max for 2V & 20V ranges
	Operating Range:	0 to 50 °C
Power Supply:	Storage Range:	-20 to 70 °C
	5V powered DPM:	+5V DC (4.65 - 5.35) at 3 mA
Mounting:	9V(±5V) powered:	+7.2 to +12 V at 1.5 mA
	Surface or Window Mount	
Connection:	13 pins, 0.025" square on 0.1" centers	
Control Inputs:	Decimal point select, hold, 10:1 range	

Ordering Information

Model	Description
DP-2000W	4 1/2 digit LCD, 5V power, ±200mV input
DP-2002W	4 1/2 digit LCD, 5V power, ±2V input
DP-2020W	4 1/2 digit LCD, 5V power, ±20V input
DP-2000W9	4 1/2 digit LCD, 9V power, ±200mV input
DP-2002W9	4 1/2 digit LCD, 9V power, ±2V input
DP-2020W9	4 1/2 digit LCD, 9V power, ±20V input
C-14	Connector/ Wire Assembly (13 Pin)
APS-5	120V AC to 5V DC Power Supply

DP-2000W Series

Dimensions



NOTES:

1. Mounting studs (2) are #2-56, length 0.5 (13) min.

Connections

Pin No.	Pin Name	Description
1	V+	Positive supply connection
2	V-	Negativesupply connection
3	INHI	Input high terminal
4	INHI	Input low terminal
5	D1	Decimal point = 000.0
6	D2	Decimal point = 00.00
7	D3	Decimal point = 0.000
8	D4	Decimal point = .0000
9	DP	DP common - connect to decimal points to activate
10	RNG	10:1 range - connect to V+ to activate
11	HOLD	Hold feature - connect to V+ to activate
12	NC	
13	NC	