

# DP-50 Series

MINI, low-cost Bezel Mount 3 1/2 Digit LCD Display Digital Panel Meters



**High Contrast Mini  
Snap-in Bezel Mount**

## Features

- Low-cost, high-performance miniature snap-in DPM with annunciators
- Snap-in bezel mount eliminates mounting hardware
- Space-saving design: only .5" deep
- Contact factory for many OEM options
- Occupies less than 1.75 X .95 inches of front panel space
- 3 1/2 digits with high-contrast LCD Display
- Extra contrast annunciators and decimal points

## Specifications

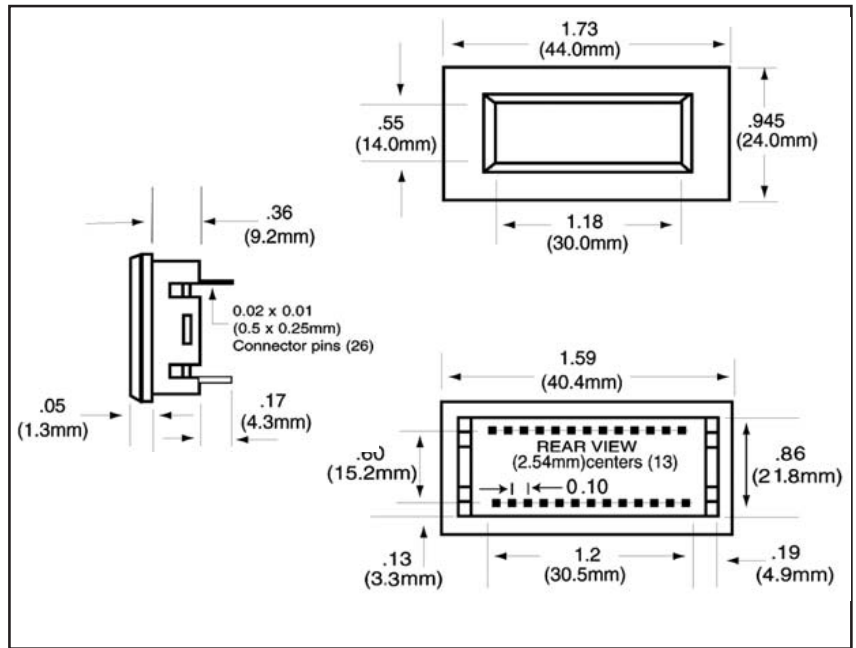
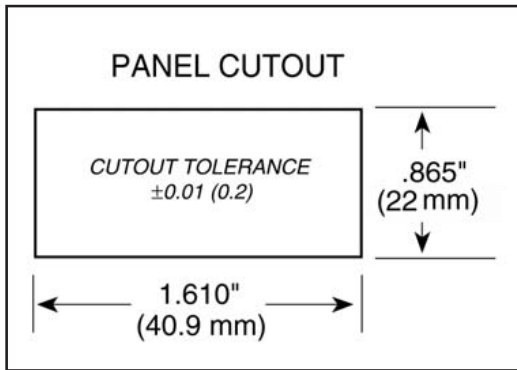
Display:	Digits:	3 1/2 digits (±1999 counts)
	Type:	0.38" (9 mm) high-contrast reflective LCD
Inputs:	Polarity:	Automatic, "-" displayed
	Decimal Points:	3 position, user selectable
	Annunciators:	BAT, °C, °F, ~, m, μ, MΩ, KΩ, V, A, HOLD, user selectable
	Overload:	Three lower order digits blank for inputs >1999 & <-1999
	Hold:	Available OEM option, contact factory
Performance:	Ranges:	±200.0mV, ±2.000V
	Configuration:	Bipolar Differential
	Protection:	±350V DC, (±100V DC on 200mV range)
	Impedance:	>10 MΩ, (>1 MΩ, on 2V range)
Environment:	Accuracy:	±(0.1% + 1 count) typical ±(0.1% + 2 counts) maximum
	Conversion Rate:	2.5 per second
	Normal Mode Rejection:	>30 db @ 60 Hz
	Common Mode Range:	±1V DC
	Common Mode Rej.:	>86 dB
	Zero Adjustment:	Automatic
	Warmup:	10 minutes typical
Power Supply:	Temperature Coeff.:	± 100 ppm per °C typical
	Operating Range:	0 to 50 °C
Mounting:	Storage Range:	-20 to 70 °C
	5V powered DPM:	+5V DC at 5 mA
Connection:	9V powered:	+9V DC at 300 μA
	Snap-In Bezel Mount	
	26 pins, in 2 rows	

## Ordering Information

Model	Description
DP-51	3 1/2 digit, 5V Power, ±200mV input
DP-52	3 1/2 digit, 5V Power, ±2V input
DP-55	3 1/2 digit, 9V Power, ±200mV input
DP-56	3 1/2 digit, 9V Power, ±2V input
APS-5	120V AC to 5V DC Adapter

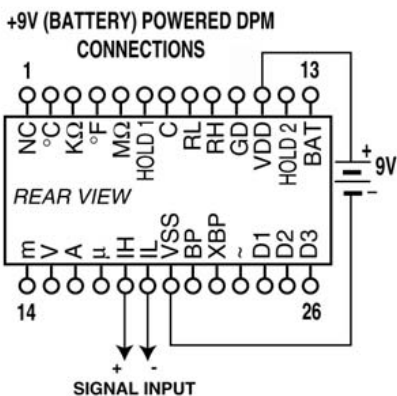
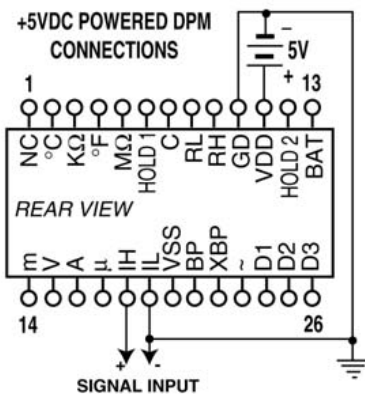
# DP-50 Series

## Dimensions



## MINI 26-PIN DPM CONNECTIONS

CAUTION: Confirm Part Number to Assure Correct Wiring For Signal Input and Power Supply.



### NOTES:

1. INPUT MUST BE ISOLATED FROM SUPPLY ON 9V POWERED DPM.
2. DISPLAY HOLDS READING WHEN "HOLD1" IS HIGH (CONNECTED TO "VDD"). READINGS ARE UPDATED WHEN OPEN. (OPTIONAL)
3. INPUT COMMON MODE RANGE IS ±1 V DC ON +5V POWERED DPMS.
4. TO TURN ON DECIMAL POINTS OR ANNUNCIATORS, CONNECT TO "XBP".

## Connections

26 PIN	DESCRIPTION
NO CONNECTION	NO CONNECTION
°C	ANNUNCIATOR
KΩ	ANNUNCIATOR
°F	ANNUNCIATOR
MΩ	ANNUNCIATOR
HOLD1	CONNECT TO VDD TO HOLD DISPLAY
C	ANALOG COMMON
RL	REFERENCE LOW TERMINAL
RH	REFERENCE HIGH TERMINAL
GD	NEG POWER SUPPLY FOR 5V DPMS
VDD	POSITIVE DPM POWER SUPPLY
HOLD2	"HOLD" ANNUNCIATOR
BAT	ANNUNCIATOR
m	ANNUNCIATOR
V	ANNUNCIATOR
A	ANNUNCIATOR
μ	ANNUNCIATOR
IH	POSITIVE INPUT SIGNAL
IL	NEGATIVE INPUT SIGNAL
VSS	NEG POWER SUPPLY FOR 9V
BP	LCD BACKPLANE
XBP	ANNUNCIATOR & DECIMAL POINT DRIVER
~	ANNUNCIATOR
D1	1.XXX
D2	1X.XX
D3	1XX.X
	} DECIMAL POINT