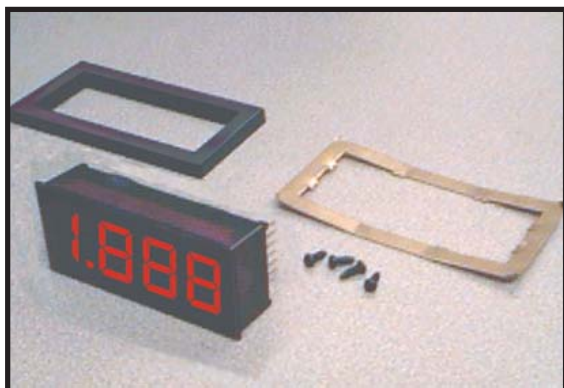


DLA Series

3 1/2 Digit LED Digital Panel Meters -



Specifications

Supply voltage:	+5 Vdc @ 40mA
Input Ranges:	±200mV, ± 2V, ±20V
Numeral Size:	.56" (14.27 mm)
Operating Temperature:	32° to 122°F (0-50°C)
Max Humidity:	95% (non-condensing)
Input Impedance:	1000MΩ (200mV) 1MΩ (other ranges)
Polarity Indication:	Automatic (-) for negative input
Over/ Under range indication:	1.../-1...
Accuracy:	± .1%F.S. ± 2 counts
Common Mode Range:	± 1 Vdc
Sampling Rate:	3 / second
Connections:	12 pin

Features

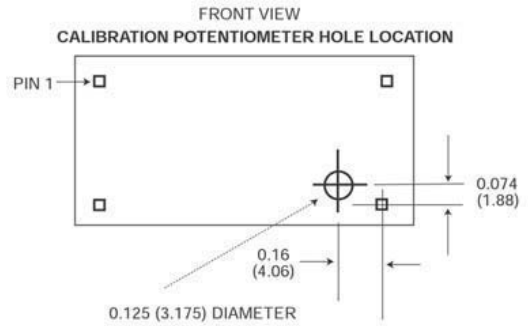
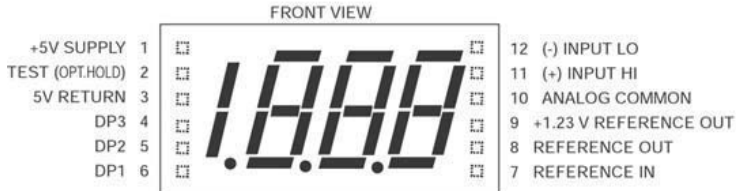
- Large LED display
- Choice of high-intensity red, green or blue
- Low Power
- Miniature size
- Differential inputs
- User selectable decimal point placement

Ordering Information

DLA-300HR	200mVin	High Intensity RED
DLA-301HR	2Vin	High Intensity RED
DLA-302HR	20Vin	High Intensity RED
DLA-300G	200mVin	GREEN
DLA-301G	2Vin	GREEN
DLA-302G	20Vin	GREEN
DLA-400HR	200mVin	High Intensity RED w/ hold function
DLA-401HR	2Vin	High Intensity RED w/ hold function
DLA-402HR	20Vin	High Intensity RED w/ hold function
DLA-300B	200mVin	BLUE
DLA-301B	2Vin	BLUE
DLA-302B	20Vin	BLUE
DLA-BEZ	Bezel Assembly	

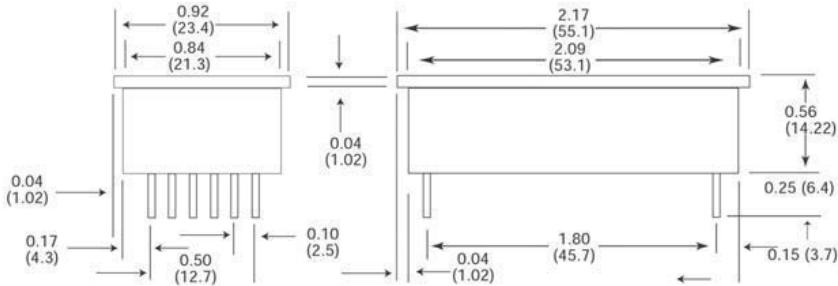
DLA Series

Dimensions

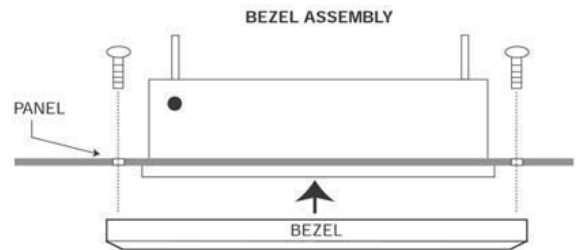
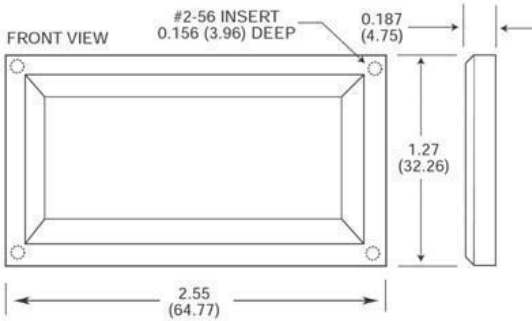


Mechanical Specifications

Mechanical Dimensions: Inches (mm)
Pin Dimensions: 0.025 (0.635) x 0.025 (0.635)



BEZEL ASSEMBLY



RECOMMENDED PANEL CUTOUT

