

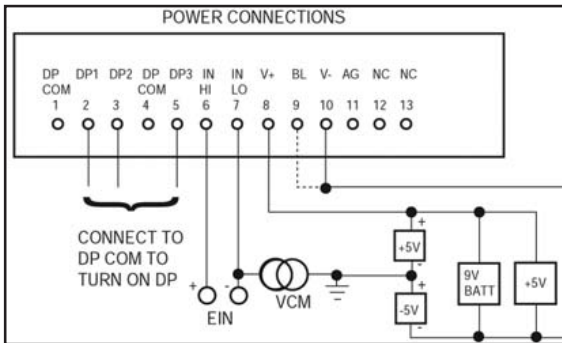
# DP-7M Series

MINI, low-cost Bezel Mount 3 1/2 Digit LCD Digital Panel Meters



## Features

- Low-cost
- Window mount
- Ultra-thin space-saving design: only 0.8" deep including connector
- Occupies less than 1.3 X .7 inches of front panel space
- 3 1/2 digits with high-contrast LCD Display
- Choice of Positive or Negative Red or Green
- Low power



## Connections

Pin No.	Pin Name	Description
1	DP COM	Connect to selected decimal point
2	DP1	DP XXX.X
3	DP2	DP XX.XX
4	DP COM	Connect to selected decimal point
5	DP3	DP X.XXX
6	INHI	Input signal HI
7	INLO	Input signal LO
8	V+	+5 Volt power
9	BL	Connect to V- for backlighting
10	V-	-5 Volt power
11	AG	Connect to INLO for isolated operation
12	NC	No connection required
13	NC	No connection required

## Dimensions

Specifications:

Display:	Digits:	3 1/2 digits ( $\pm 1999$ counts)
	Type:	7 segment backlit LCD
	Polarity:	Automatic, "-" displayed
Inputs:	Decimal Points:	3 position, user selectable
	Ranges:	200mV, 2V, 20V
	Protection:	100V on 200mV, 250V on 2V & 20V
Performance:	Impedance:	100M $\Omega$ on 200mV, 1M $\Omega$ on 2V & 20V
	Accuracy:	$\pm(0.1\%$ of F.S. +1 count)
	Conversion Rate:	2.5 per second
	Normal Mode Rejection:	>30 db @ 60Hz.
	Common Mode Range:	$\pm 1$ Vdc
	Common Mode Rej.:	>86db
	Zero Adjustment:	Automatic
Environment:	Warmup:	10 minutes typical
	Temperature Coeff.:	$\pm 100$ ppm per $^{\circ}$ C typical
	Operating Range:	0 to 60 $^{\circ}$ C
Power Supply:	Storage Range:	-20 to 70 $^{\circ}$ C
	Available in:	+5V DC +9V DC
Mounting:	Window Mount	
Connection:	13 pin	

## Ordering Information

Model	Description
DP-7M 2041	3 1/2 digit LCD, Green Positive, 5V B/L power, $\pm 200$ mV, +5Vdc power
DP-7M 2141	3 1/2 digit LCD, Green Positive, 5V B/L power, $\pm 2$ V, +5Vdc power
DP-7M 2099	3 1/2 digit LCD, Green Positive, 9V B/L power, $\pm 200$ mV, +9V battery power
DP-7M 2199	3 1/2 digit LCD, Green Positive, 9V B/L power, $\pm 2$ V, +9V battery power
DP-7M 6041	3 1/2 digit LCD, Red Negative, 5V B/L power, $\pm 200$ mV, +5Vdc power
DP-7M 6141	3 1/2 digit LCD, Red Negative, 5V B/L power, $\pm 2$ V, +5Vdc power
DP-7M 6099	3 1/2 digit LCD, Red Negative, 9V B/L power, $\pm 200$ mV, +9V battery power
DP-7M 6199	3 1/2 digit LCD, Red Negative, 9V B/L power, $\pm 2$ V, +9V battery power
DP-7M 7041	3 1/2 digit LCD, Red Positive, 5V B/L power, $\pm 200$ mV, +5Vdc power
DP-7M 7141	3 1/2 digit LCD, Red Positive, 5V B/L power, $\pm 2$ V, +5Vdc power
DP-7M 7099	3 1/2 digit LCD, Red Positive, 9V B/L power, $\pm 200$ mV, +9V battery power
DP-7M 7199	3 1/2 digit LCD, Red Positive, 9V B/L power, $\pm 2$ V, +9V battery power
APS-5	120V AC to 5V DC Power Supply