

5 digit LCD programmable time relay with 8 modes of operation in a 1/16 DIN case with environmental protection to IP65 / NEMA4



DP-7951

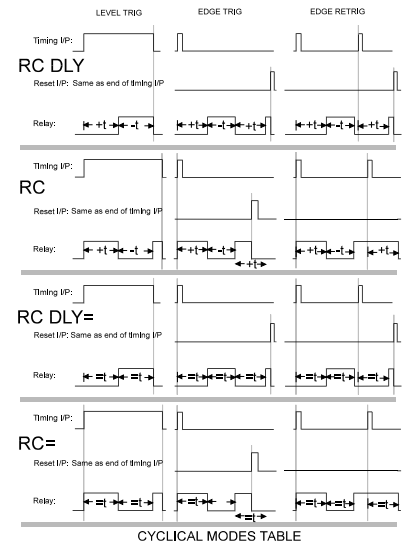
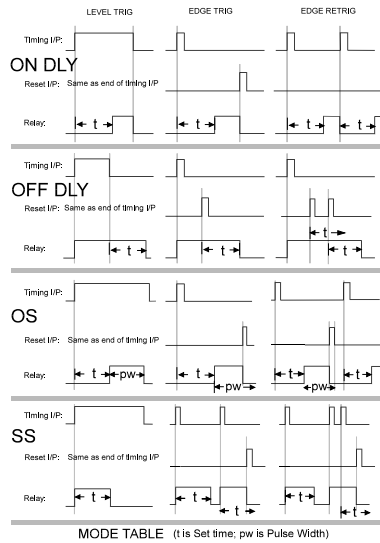
This versatile time relay has 8 modes of operation, 9 timing ranges and a large easy to read LCD display with numerical information. The display carries a wide range of internationally understood annunciators to indicate all the modes, direction of timing and the status of the output at all times.

- Simple programming via menu driven display.
- Large, easy to read LCD display.
- 8 timing modes: ON DELay (ON DLY), OFF DELay (OFF DLY), One Shot (OS) and Single Shot (SS). Repeat Cycle (RC) modes: Delay, Cycle, Symmetrical Delay and Symmetrical.
- 9 timing ranges from 0.2 seconds to 99999 hours.
- Internationally understood annunciators for operating modes, time units, low battery, relay output state and trigger type.
- Self powered with 10 year battery life or 10<sup>6</sup> operations (customer replaceable lithium battery).
- Opto-isolated inputs 12 - 260VAC or DC.
- Three different triggering mechanisms.

- Relay contacts rated at 8A, programmable to NO or NC.
- Environmental protection to IP65.
- CE approved, UL and cUL pending.

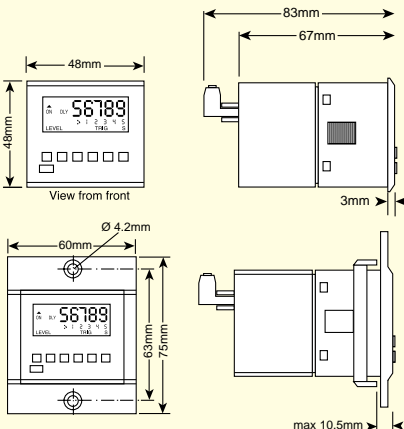
The timing input can be LEVEL TRIGgered, EDGE TRIGgered or EDGE RETRIGgerable. The essence of RE-triggering is that subsequent pulses on the timing input can start a new timing cycle. Time is on the Main Display and the Set Time on the Subsidiary Display.

## Timing Modes



## Dimensions

48mm x 48mm (1.89 x 1.89in). 83mm (3.27in) depth including rear connector



## Specification

**Display**  
2 rows of 5 digits, black on silver LCD. Upper row 6.5mm (0.26in) high indicates Time, lower row 3.5mm (0.14in) high indicates Set Time. Also mode and relay annunciators

**Batteries**  
Two replaceable 1/2 AA 3V Lithium. 10 year expected life

**Time Ranges**  
1 - 99999, 0.2 - 9999.9, 0.20 - 999.99 sec or  
1 - 99999, 0.1 - 9999.9, 0.10 - 999.99 sec or  
1 - 99999, 0.1 - 9999.9, 0.01 - 999.99 min or  
1 - 99999, 0.1 - 9999.9, 0.01 - 999.99 hrs

**Set Time**  
Single user selectable point within the selected range

**Accuracy Timing**  
+50mS - 20mS or ±0.5% of Set Time whichever is greater

**Repeat Accuracy**  
±0.3% of Set Time

**Timing and Reset Inputs**  
Opto-isolated 12 - 260VAC or DC. Minimum pulse width 20ms. Input impedance 220k Ω

**Output Relay**  
SPST voltage free contacts programmable as NO or NC

**Contact Rating**  
8A 260VAC or 30VDC, 2000VA/150W

**Reaction Time**  
<20ms.

**Expected Life**  
Electrical 8A resistive load 100,000 operations.  
Electrical 2A resistive load 1,000,000 operations

**Operating Temp.**  
-10°C to +60°C

**Storage Temp.**  
-20°C to +70°C

**Environmental Protection** IP65/NEMA 4 when properly installed using the sealing gasket supplied

WARNING: THIS UNIT CONTAINS A LITHIUM BATTERY AND MUST NOT BE DISPOSED OF IN A FIRE OR EXPOSED TO TEMPERATURES OUTSIDE THE RANGE -20°C TO +70°C

## Ordering Information

Order by type number:

**DP-7951**