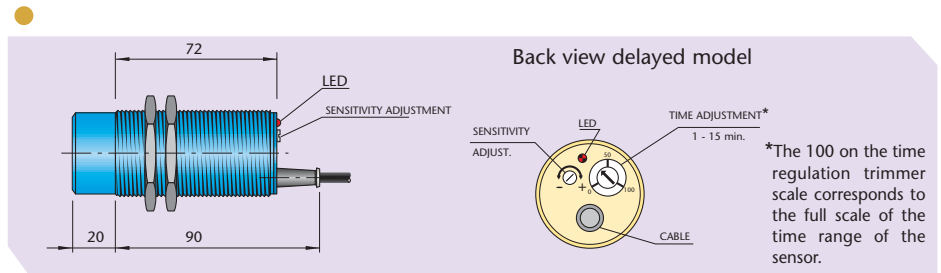
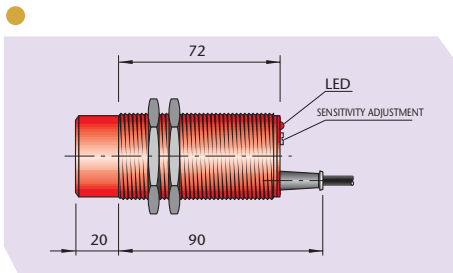


# Capacitive Sensors M40 x 1.5



CYLINDRICAL HOUSING PLASTIC  
4 WIRES D.C.  
VERSION-C

CYLINDRICAL HOUSING PLASTIC  
2 WIRES A.C./D.C.  
STANDARD AND DELAYED MODELS  
VERSION-A



SC40P - CE35 NPN NO + NC

SC40P - CE35 PNP NO + NC

SC40P - AE35 NO

SC40P - AE35 NC

SC40P - AE35 TE/TD NO

SC40P - AE35 TE/TD NC

0 ÷ 35

10 ÷ 55

In relation to Sn

10

< 2

300

< 10

< 1.8

Incorporated

Incorporated

- 20 ÷ + 70

67

Red plastic makrolon

4 x 0.25 mm<sup>2</sup>

0 ÷ 35

20 ÷ 250

20 ÷ 250

In relation to Sn

10

< 2

500

10 (Min. release current)

1.5

≤ 2

< 6

Incorporated (Up to 50V in d.c.)

Incorporated

- 20 ÷ + 70

67

Blue plastic makrolon

3 x 0.50 mm<sup>2</sup>

In relation to delay

300

20

< 3

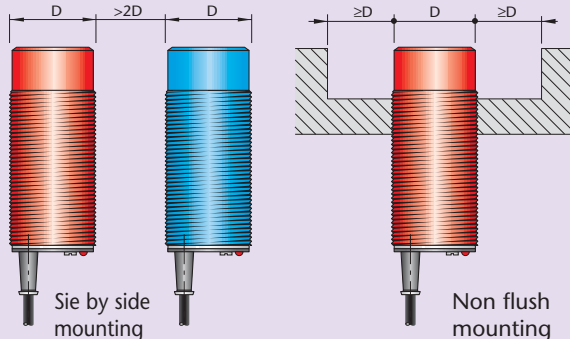
65

2 x 0.50 mm<sup>2</sup>

On request protection housing with 2 inch fixing

## INSTRUCTIONS FOR CORRECT INSTALLATION

### NOT EMBEDDABLE



## SC40P-AE35 DELAYED - AVAILABLE RANGE

### SC40P-AE35 TE NO, delay on energization N.O. contact.

In the absence of material the sensor has an open contact. When the material enters the sensing area, the delay set starts. At the end of this time the contact closes. When the material leaves the sensing area, the contact opens instantaneously.

### SC40P-AE35 TE NC, delay on energization N.C. contact.

In the absence of material the contact of the sensor is closed. When material enters the sensing area, the contact opens. When material leaves the area, the delay set starts, after which the contact closes.

### SC40P-AE35 TD NO, delay on de-energization N.O. contact.

In the absence of material the contact of the sensor is open. When material enters the sensing area, the contact closes. When material leaves the area, the delay set starts, after which the contact opens.

### SC40P-AE35 TD NC, delay on de-energization N.C. contact.

In the absence of material the contact of the sensor is closed. When material enters the sensing area, the delay set starts, after which the contact opens. When material leaves the area, the contact closes instantaneously.

### RANGE OF STANDARD TIME DELAY

FROM 1 to 15 minutes.