

### Miniature, low cost 4 digit and 6 digit LCD self-powered totalising counters



DP-7010

Shown with panel mount bezel

UL E 135458



DP-7016

Shown as PCB mount

The DP-7010 and DP-7016 are two counters based on the same miniature self powered totalizer. Both counters come ready for fitting and feature flying leads for connection to remote contact closure input devices.

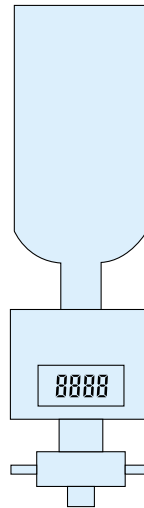
- Self powered for 4 - 5 years using a single standard 1.5V button cell.
- 4/6 digit 6mm character high contrast LCD display.
- Uses low power CMOS circuitry to achieve an expected battery life of 4 to 5 years at 20°C.
- Simple to install.
- Integral de-bounce circuitry.
- UL and cUL recognized.

The counters increment the count when the contact is opened. They may be panel mounted with the optional bezels supplied.

### Typical Application

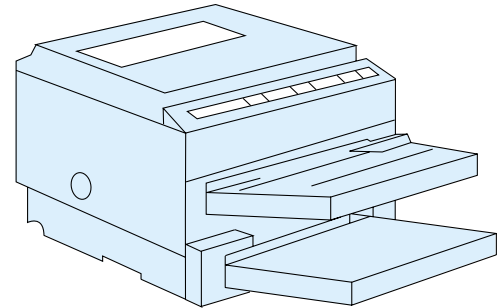
- \*Applications where no power is available
- \*Event counting
- \*Portable equipment

- \*Drinks optics
- \*Luggage lockers



Drinks Optics

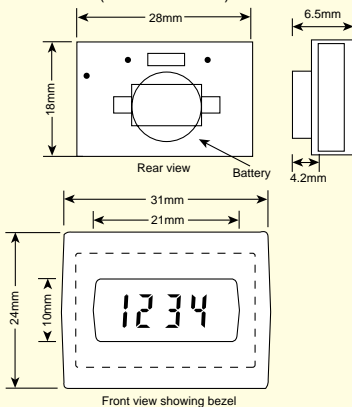
Laser Printer



### Dimensions

1.1"(W) x 0.7"(H) x 0.26"(D)  
( 27.6mm(W) x 17.7mm(H) x 6.5mm(D) )

Panel cutout 1.16" x 0.87"  
(29.4mm x 22mm)



### Specification

**Supply Voltage**  
1.5V button cell type 386 or SR43

**Expected Battery Life**  
3 - 4 years at 20°C

**DP-7010 Display** 4 digit LCD, 6mm characters  
**Count Range** 9999 display rollover to 0000

**DP-7016 Display** 6 digit LCD, 6mm characters  
**Count Range** 999999 display rollover to 0

**Count Input**  
12Hz maximum, contact closure. Operates on contact opening

**Reset**  
Reset to zero on insertion of battery

**Operating Temp.**  
0°C to 50°C

**Storage Temp.**  
-10°C to +60°C

**Material**  
Clear polycarbonate, black ABS bezel

**Environmental Protection**  
IP40/DIN40050

**Weight**  
0.26oz (7.5 grams)

**Lead Length**  
9.4" (24cm) (DP-7010 only)

### Ordering Information

Order by type number:

**DP-7010: 4 digit LCD Self powered counter**  
**DP-7016: 6 digit LCD Self powered counter**