



1

4 digit multi-purpose process panel meters

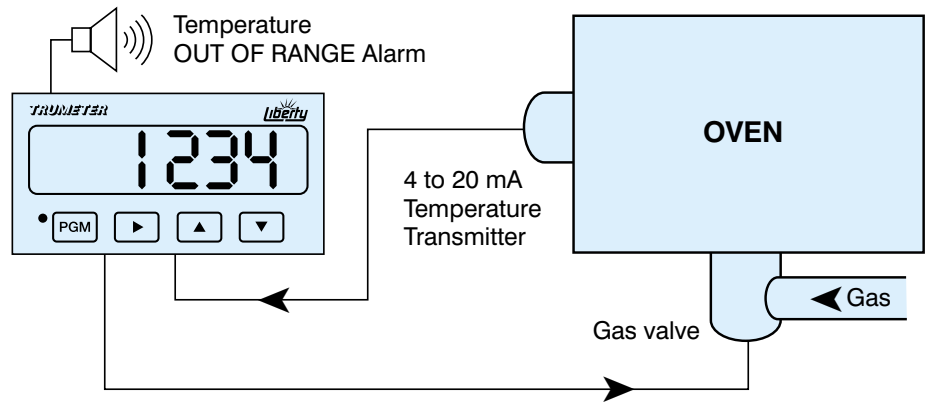


4-digit process meter for a multitude of applications, using scaling the user can display variables in engineering units. Flexible output options make the meter suitable for alarm or on/off control purposes.

- **14.2mm High visibility 4 Digit LED display**
- **1/8 DIN (96mmX48mm) bezel**
- **Simple user programming**
- **Display scaleable to show engineering units**
- **Programme lock out facility**
- **AC and DC powered models available**
- **Analogue re transmission option**
- **Dual relay output option**
- **RS485 communications option**
- **CE, UL and cUL approved**

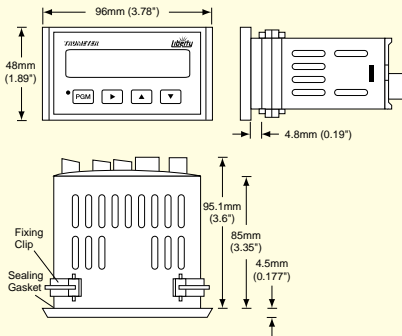
Typical Application

- *Flow rate from analogue transducers
- *Level applications
- *Speed indication from 0-10 VDC 4-20 mA input
- *Temperature indication from 0-10 VDC 4-20 mA temperature transducers



Dimensions

Panel cut-out 92 x 45mm +0.4mm-0
(3.62 x 1.22" +0.015")



Specification

Power Supply
AC Powered 85-265VAC 47-63Hz 20VA
DC Powered 9-30VDC 12VA

Sensor supply 24VDC +/- 10% 90mA max

Display
14.2 mm High visibility LED Display

Signal Input
Ranges 4-20mADC, 0-10VDC and 1-5VDC separate input terminals for voltage and current inputs
Overrange 50mA max current input and 100VDC voltage input

Accuracy
+/- 0.05% of reading +/- 1 digit and +/-80ppm/°C

Optional Outputs

Relay output
2 SPNO (Form C) relays
Contact rating 5A 250VAC or 30VDC @ unity power factor

Analogue retransmission
4-20mA (<750 Ω load) and 0-10VDC (> 2500 Ω load)

RS485 Serial Communications
Baud rate 1200,2400,4800,9600 or 19,200programmable Parity Even, odd or no parity
Address 00-99

Data Retention
EEPROM 100 years duration

Operating Temperature 0-50°C
Storage Temperature -20-70°C

Humidity 0 to 85%RH non condensing
Vibration 2.5 g's 30-200Hz
Shock 30g's
Front Panel Protection
IP65 when properly mounted using gasket supplied

Approvals
CE UL and cUL

Ordering Information

Order by type number:
DP-875X