

# Capacitive Sensors M18 x 1



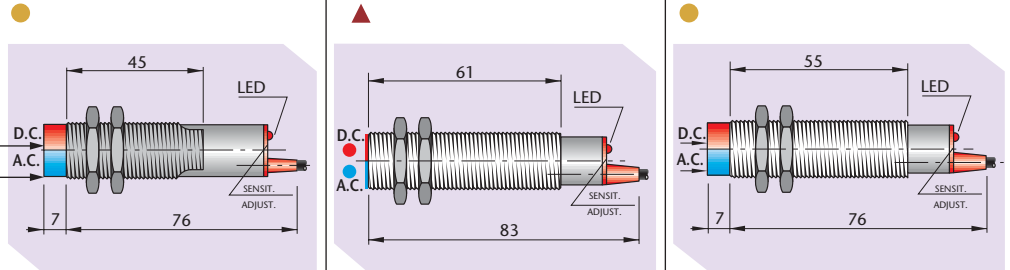
CYLINDRICAL HOUSING PLASTIC OR METALLIC  
 4 WIRES D.C. - VERSION-C  
 2 WIRES A.C. - VERSION-A

- ▲ **EMBEDDABLE** (FLUSH MOUNTING)
- **NOT EMBEDDABLE** (NON FLUSH MOUNTING)

D.C. red color  
 A.C. blue color

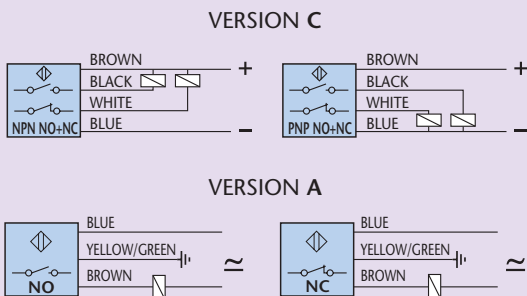
## TECHNICAL CHARACTERISTICS

Dimensions mm



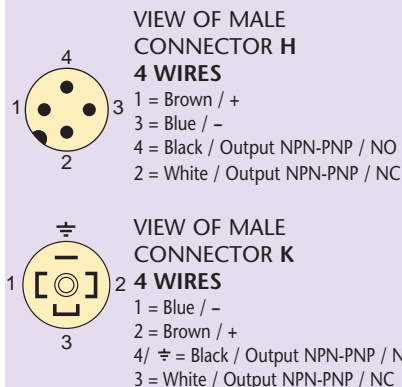
AMPLIFIED 4 WIRES D.C. ANTIPIHASE	NPN	NO+NC	SC18P - CE10 NPN NO + NC	SC18M - C5 NPN NO + NC	SC18M - CE10 NPN NO + NC
	PNP	NO+NC	SC18P - CE10 PNP NO + NC	SC18M - C5 PNP NO + NC	SC18M - CE10 PNP NO + NC
AMPLIFIED 2 WIRES A.C.		NO	SC18P - AE10 NO	SC18M - A5 NO	SC18M - AE10 NO
		NC	SC18P - AE10 NC	SC18M - A5 NC	SC18M - AE10 NC
Switching distance (Sn) adjustable	mm		0 ÷ 10	0 ÷ 5	0 ÷ 10
Continuous voltage (residual ripple ≤10%)	V			10 ÷ 55	
Alternating voltage 50÷60 Hz	V			20 ÷ 250	
Hysteresis (%Sn)	mm			In relation to Sn	
Switching frequency	Hz			10	
Repeatability (at constant temperature)	mm			< 1	
Max output current	mA			200 in D.C. - 300 in A.C.	
Min output current	mA			10 (min. release current)	
Max peak current for 20 ms	A			1.5	
Absorption at 24Vdc	mA			≤ 10	
Residual current	mA			≤ 1	
Voltage drop (sensor ON)	V			< 1.8 in D.C. - < 6 in A.C.	
Short circuit protection				Incorporated in D.C.	
Led				Incorporated	
Temperature limits	°C			- 20 ÷ + 70	
IP rating	IP			65	
Housing			Gray plastic (Makrolon)	Nickelled brass	
Cable PVC	2m		4 x 0.25 mm <sup>2</sup> in D.C. - 3 x 0.35 mm <sup>2</sup> in A.C.		
Connector plug			-	H (only D.C.)	H (only D.C.)
Protection housing					

## WIRING DIAGRAMS



N.B.: Upon request cable for sensors with different lengths 3.5 - 5 - 7.5 - 10 metres is available.

## CONNECTION WITH H - K PLUGS FOR THE CONNECTORS SEE PAGE 85



## MODELS AVAILABLE WITH H PLUG FOR M12 CONNECTORS

